

## LABSOLUTE<sup>®</sup> MICROLITER PIPETTE

### Single-Channel, 2 - 20 $\mu$ l

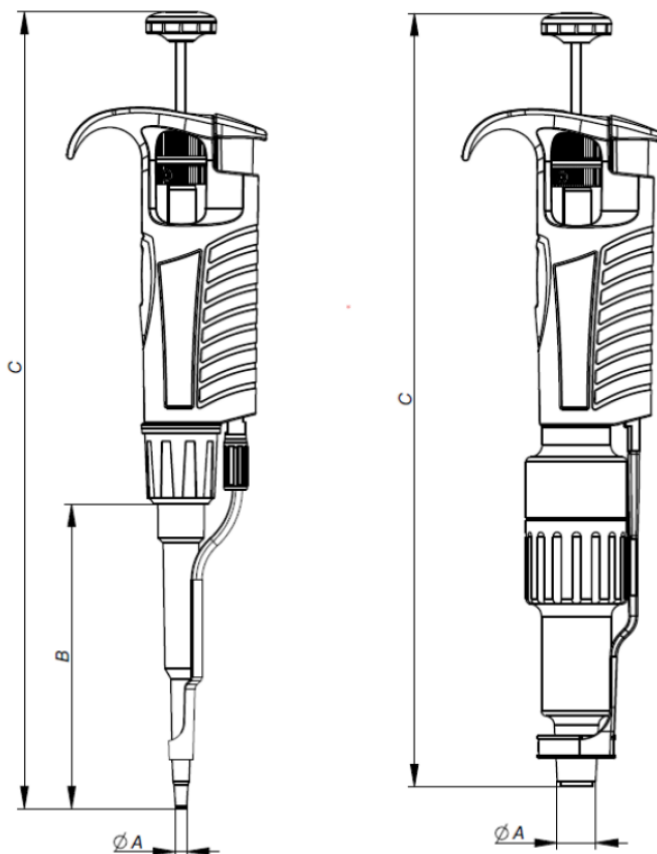
#### Features:

- In accordance with EN IS 8655
- Sterilization: fully autoclavable at +121 °C for 20 minutes
- UV resistant
- The pipettors combine the highest level of accuracy and precision
- The design of the handle ensures a comfortable and fatigue-free grip
- The large display ensures simple reading of the set volume value
- The recalibration device ensures quick and precise recalibrations

Handle materials: PP, PC, POM, fluoropolymer elastomer, stainless steel, brass

Shaft and piston materials: PP, PVDF, PPS, PA, fluoropolymer elastomer, stainless steel

#### Technical drawing:



Th. Geyer GmbH & Co. KG

**Table of value:**

Part no.	Volume (µl)	Accuracy (%)	Precision (%)	A (mm)	B (mm)	C (mm)	Weight (g)
7. 695 702	2	± 3,0	≤ 1,5	3,1	105	261	98
	10	± 1,0	≤ 0,5				
	20	± 0,8	≤ 0,3				

**Maintenance and general instructions:**

The components most exposed to vapors of aggressive solutions, such as shaft elements, should be regularly checked and cleaned.

External surfaces of the pipetting pushbutton, the ejector pushbutton, the handgrip, the shaft nut and the adjustment knob may be cleaned using a cloth dampened in isopropyl alcohol. Do not use sharp tools for pipettor maintenance. It may cause damage to the device and affect the user's safety.

Spare parts and accessories:

- Pipetting pushbutton (pushbutton, knob)
- Adjustment knob
- Ejector button
- Piston's assembly
- Shaft
- Ejector
- Calibration key
- Color identification rings
- Shaft filter

Further information can also be found in the operating instructions.

**Revision 1.0, Status: 13.01.2023**