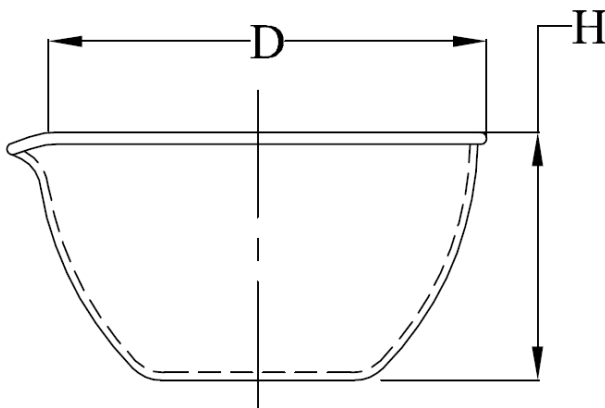


LABSOLUTE® EVAPORATING DISHES

Properties:

- Made of borosilicate glass 3.3
- According to DIN 12336
- Permanent, white volume scale & labelling field
- Functional spout and flat bottom
- Dishwasher proof and autoclavable at 121 °C
- Very high resistance against a wide range of chemicals
- High temperature resistance up to 500 °C

Technical drawing / picture:



Th. Geyer GmbH & Co. KG

Value table:

Item no.	V ml	H mm	Ø mm	S mm
7.690 270	15	25	50	0,8
7.690 271	45	30	60	0,8
7.690 272	60	35	70	1,0
7.690 273	90	45	80	1,0
7.690 274	170	55	95	1,0
7.690 275	320	65	115	1,2

Description of the abbreviations in the value table:

Item no.	Item number
V	Nominal volume of the evaporating dishes
H	Max. height of the evaporating dishes
Ø	Max. upper diameter of the evaporating dishes without spout
S	Max. wall thickness of the evaporating dishes

Further information is part of the declaration of conformity.

Revision 1.0, Stand: 20.04.2018

Th. Geyer GmbH & Co. KG